



Installation

Model specific instructions

For:

- [BMW R1200RS](#)
- [BMW R1250RS](#)

These instructions are a model specific add-on to the general BoosterPlug installation instructions.

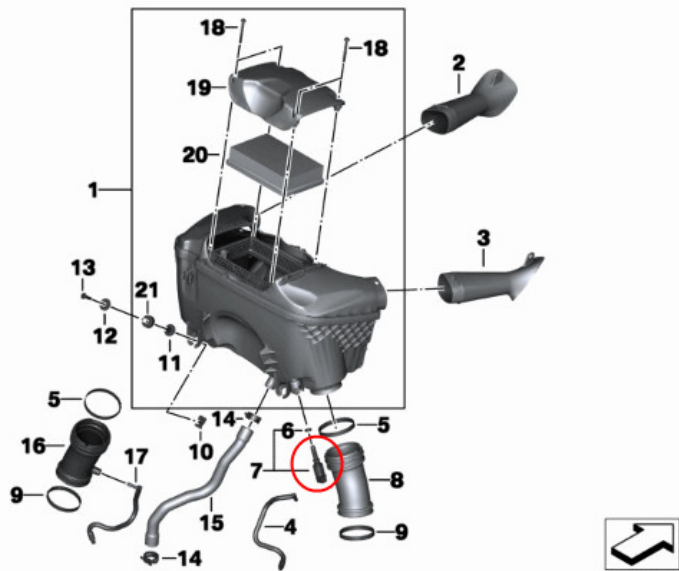
Installation Tips

- Remove the plastic gas tank shielding (as seen in the pictures below)
- Locate the AIT sensor in the air filter box on the right hand side of the bike
- The pictures below should help you locate the sensor
- Install the BoosterPlug module as per the general installation papers
- You have several choices for the sensor location, but our favorite place is near the steering head or under the head light. Next to the airbox snorkel air intake hole is another very good spot.

Pictures

For:

- [BMW R1200RS](#)
- [BMW R1250RS](#)



For:

[BMW other R1200 and R1250 models - please see separate instructions](#)