



# Installation

Model specific instructions

For:

- Ducati SuperSport SS 620
- Ducati SuperSport SS 800
- Ducati SuperSport SS 1000
- Ducati SuperSport SS 1000 DS
- Ducati SuperSport (2017 and newer)

These instructions are a model specific add-on to the general BoosterPlug installation instructions.

## Installation Tips

- Install the BoosterPlug module as per the general installation papers.
- The pictures below should help you locate the AIT sensor where the BoosterPlug is installed.
- The AIT sensor is located inside the fairing, behind the head light.
- The External sensor on the BoosterPlug is already in the right spot, so just secure it with a zip-tie so it's not flopping around.

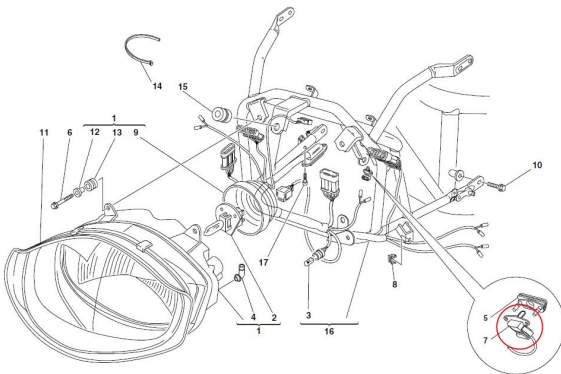
## Pictures

For:

- Ducati SuperSport SS 620
- Ducati SuperSport SS 800
- Ducati SuperSport SS 1000
- Ducati SuperSport SS 1000 DS

SUPERSPORT 1000 L.e. DUCATI

022 HEAD-LIGHT AND ELECTRIC WIRING



For:

- Ducati SuperSport (2017 and newer)

