



Installation

Model specific instructions

These instructions are a model specific add-on to the general BoosterPlug installation instructions.

For Harley Davidson Touring models:

- FLHX Street Glide
- FLHXS Street Glide Special
- FLTR Road Glide
- FLTRX Road Glide Custom
- FLTRU Road Glide Ultra
- FLTRXS Road Glide Special
- FLHR Road King
- FLHRS Road King Custom
- FLHRC Road King Classic
- FLHT Electra Glide Standard
- FLHTK Electra Glide Ultra Limited
- FLHTKL Electra Glide Ultra Limited Low
- FLHTC Electra Glide Classic
- FLHTCU Electra Glide Ultra Classic
- FLHTCUL Electra Glide Ultra Classic Low

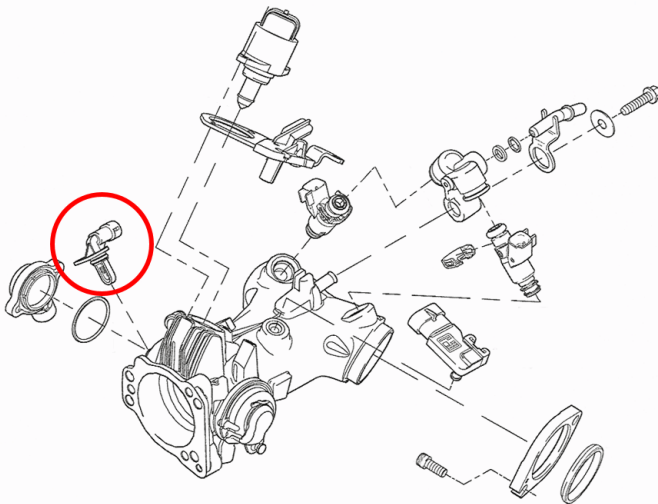
Installation Tips

- Install the BoosterPlug module as per the general installation papers.
- The picture below should help you locate the AIT sensor where the BoosterPlug is installed.
 - The AIT sensor is found in the throttle valve body between the cylinder heads.
 - Remove the air filter assembly to get access to the AIT sensor.
- You have several choices for the BoosterPlug sensor location, but our favorite place is near the steering head or under the head light.
 - Just stick to the simple rules in the general installation instructions for placing the external sensor, and you'll be fine.

Pictures

For:

- All 2007 models.



For:

- All models from 2008 and newer.

