



# Installation

Model specific instructions

For:

- Yamaha YZF-R6 (2006 - 2016)
- Yamaha YZF-R6 (2017 and newer)

These instructions are a model specific add-on to the general BoosterPlug installation instructions.

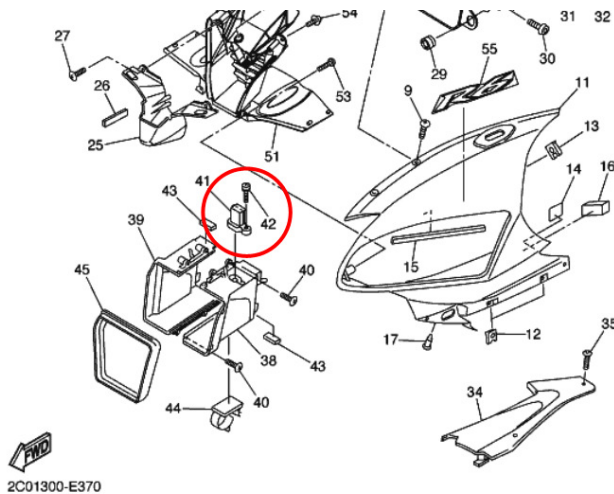
## Installation Tips

- Install the BoosterPlug module as per the general installation papers.
- The picture below should help you locate the AIT sensor where the BoosterPlug is installed.
- The AIT sensor is located in the the inlet duct in the front fairing (See picture below).
- You have several choices for the BoosterPlug sensor location, but our favorite place is near the steering head or under the head light. Next to the airbox snorkel air intake hole is another very good spot.
  - Just stick to the simple rules in the general installation instructions for placing the external sensor, and you'll be fine.

## Pictures

For:

- Yamaha YZF-R6 (2006 - 2016)



For:

- Yamaha YZF-R6 (2017 and newer)

