



EVOTECH®
P E R F O R M A N C E

Installation Instructions

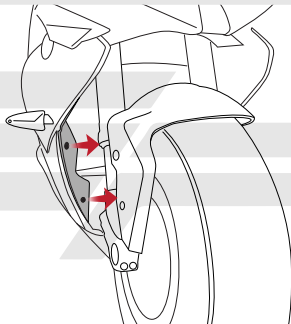


**BMW S1000 RR - 2010 ONWARDS
RADIATOR GUARD**

Product Reference - 10889

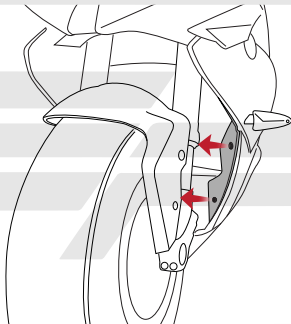
Kit Contents

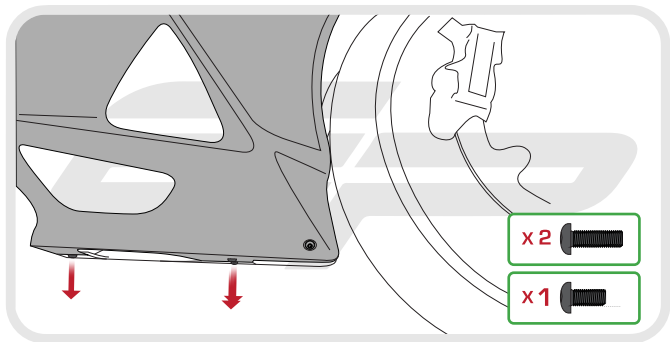
- A** 1 x Raditator Guard
- B** 1 x Neoprene Foam

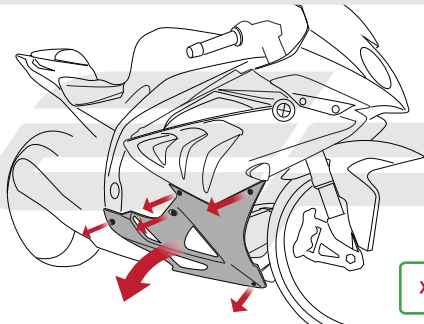


x 2







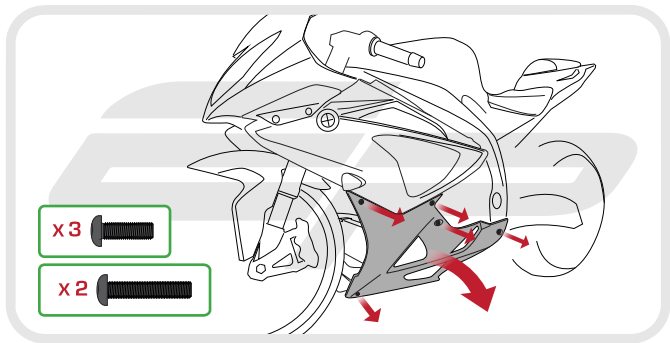


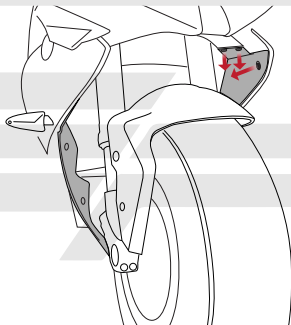
x3



x2

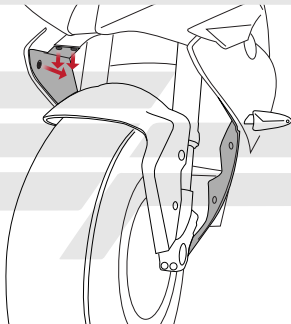






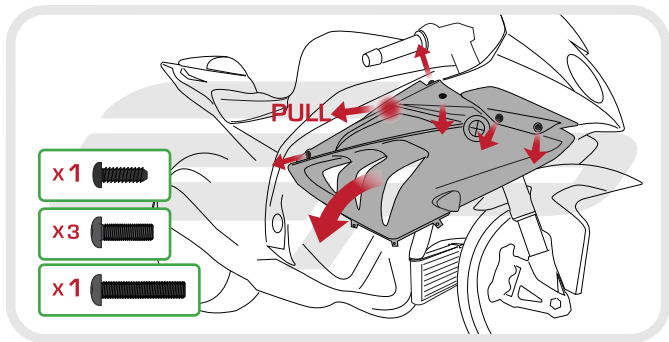
x3

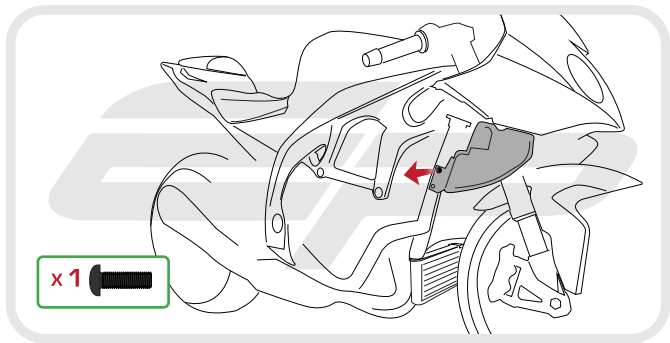


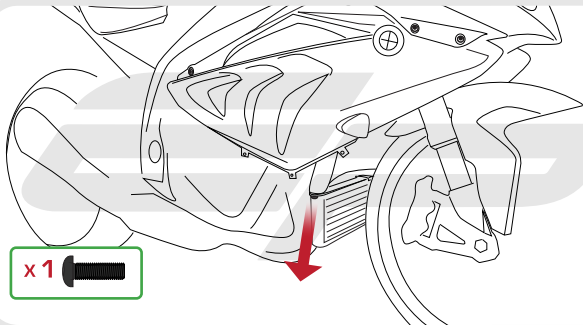


x3



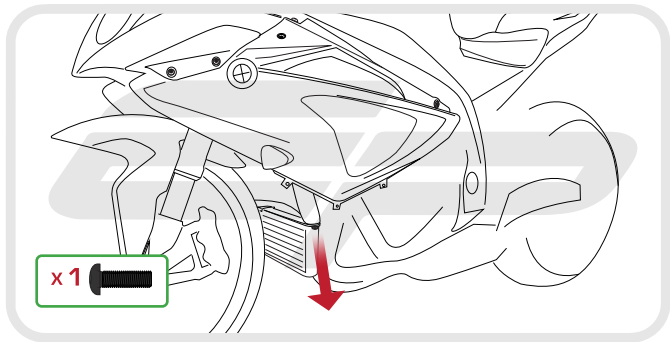


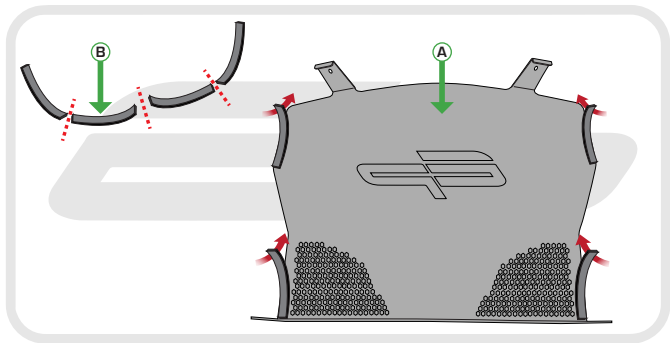




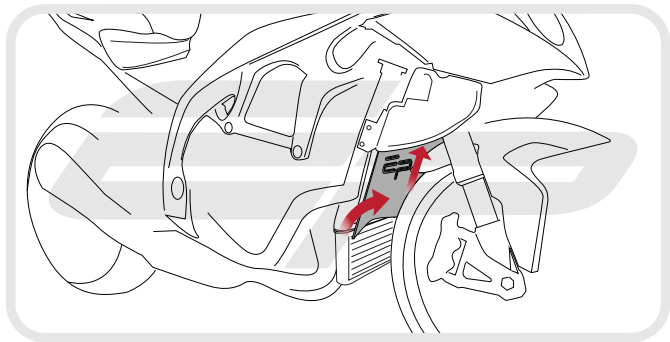
x1

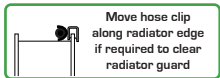
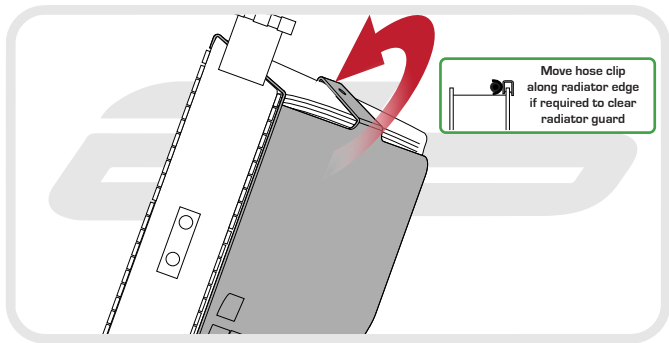




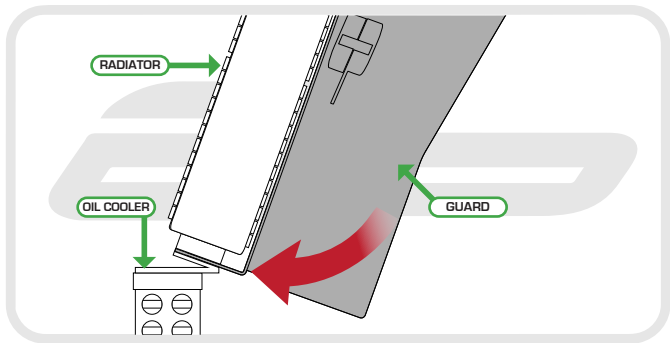


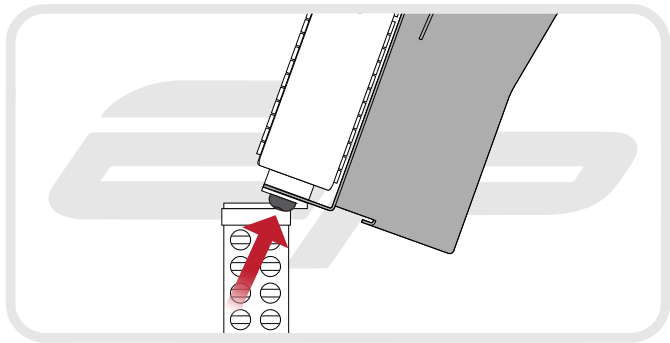
EVOTECH[®]
P E R F O R M A N C E

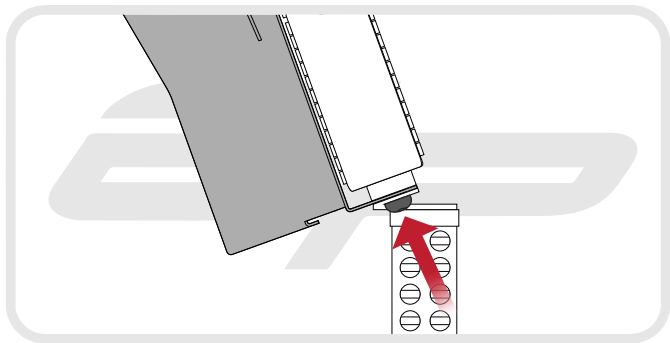




Move hose clip
along radiator edge
if required to clear
radiator guard









Reverse Stages

9 - 1



Maintenance

It is recommended that periodic inspections are made to ensure that dirt and debris have not become trapped between the guard and the radiator/oil cooler. Such dirt and debris would reduce the cooling efficiency of the radiator/oil cooler



EVOTECH®
P E R F O R M A N C E

www.evotech-performance.com